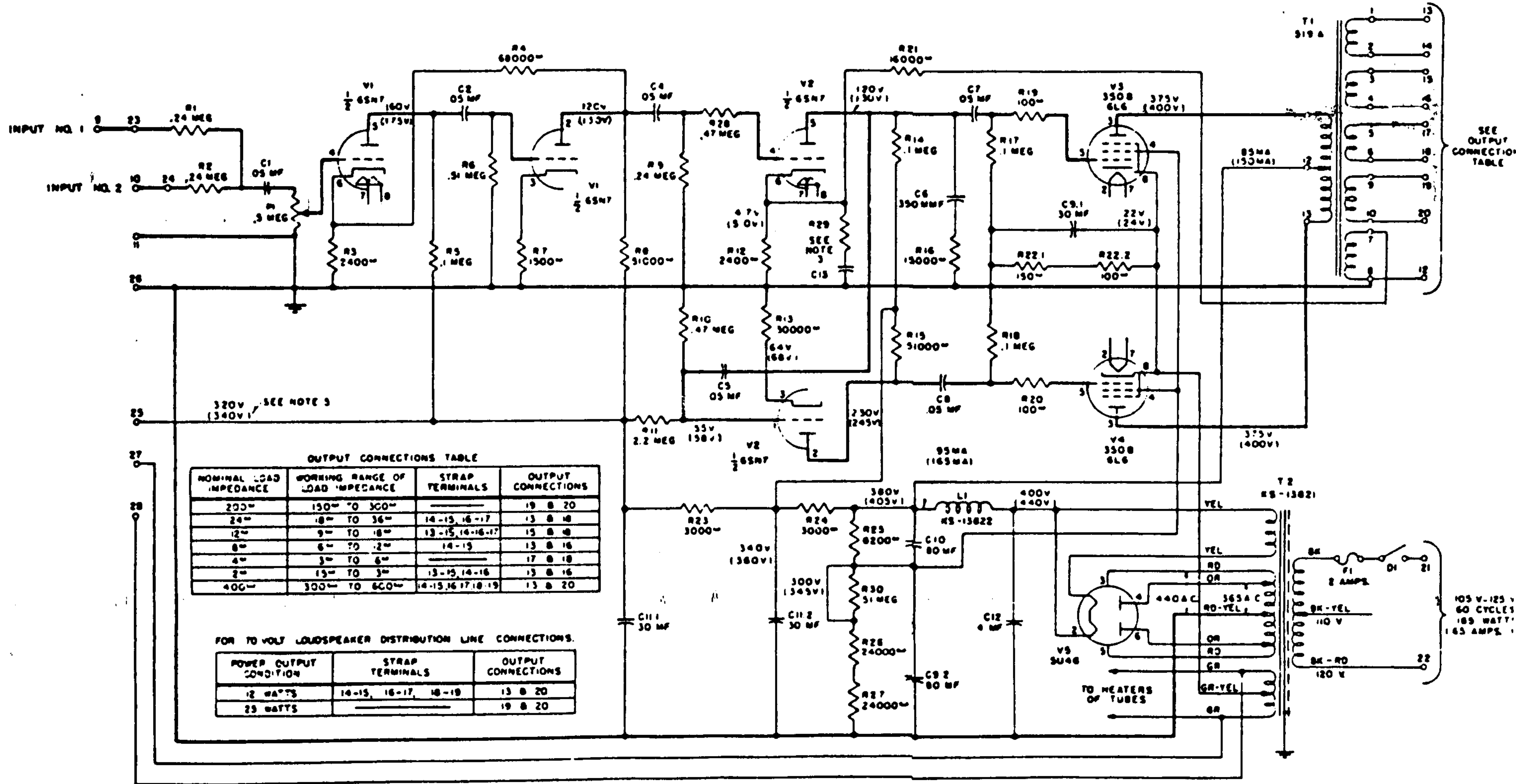


Western Electric Model 142A public address amplifier. "KS" prefix to some part numbers indicates "Kearney Specification" meaning parts were sourced outside WE.



105 V-125 V
60 CYCLES
185 WATT
1.65 AMP.